

Carestream INDUSTREX Water Control Panel

For Non-Destructive Testing

A PROCESSOR ACCESSORY FOR CLEANER WATER AND HIGHER IMAGE QUALITY ON THE JOB.

Processing radiographs is time-consuming and poor water quality can lead to inferior image results, wasted consumables, and maintenance issues. Reliable and clean water is vital in all of the processing stages: developer, fixer, and wash. The INDUSTREX Water Control Panel ensures the best possible water conditions are set for flow, pressure, temperature and filtration for the highest level of image quality.



The water control panel is an accessory specifically designed for Carestream NDT processors. It conveniently provides the service connections necessary for adding water monitoring and filtration capability to your processors.

FEATURES AND BENEFITS

- **Flow Meter:** a stable water flow rate ensures film is washed efficiently for optimum processing quality. Incoming water can be set to the required flow rate specified for the model of processor.
- **Pressure Gauge:** especially useful if there is unstable water pressure on site.
- **Thermometer:** The incoming water temperature should be between 7–15°C for the processor cooling system to operate efficiently in the absence of a chiller.
- **Water Filtration:** includes a 254 mm (10 in.) filter housing for use with 5-10 micron filter elements for small particle capture.
- **Additional Y connection:** allows for adding Carestream NDT Auto Mixer capability.*
- **Processor maintenance:** better water quality means cleaner water lines.

For use with Carestream NDT M43 and M37 *Plus* Processors.



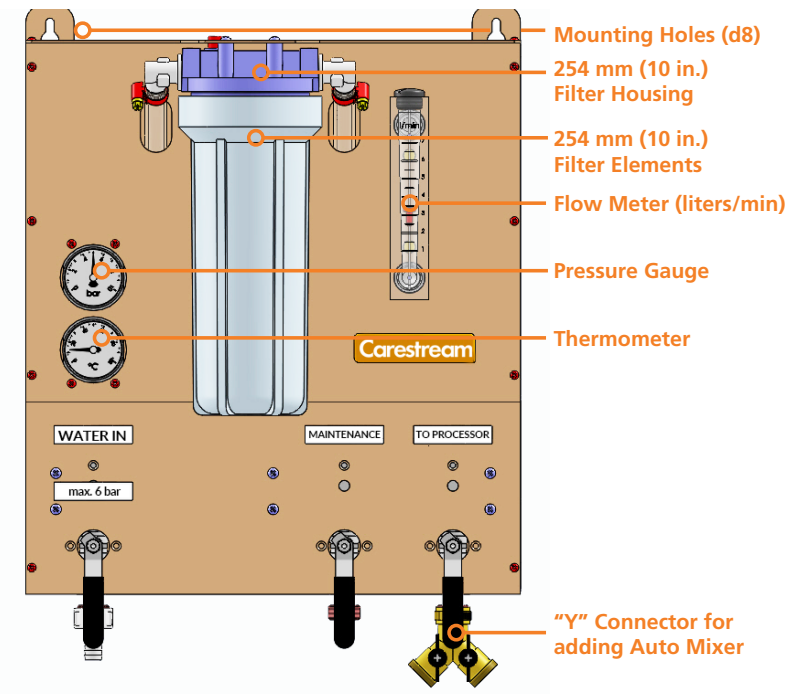
*Installation by a certified plumber recommended

Carestream NDT

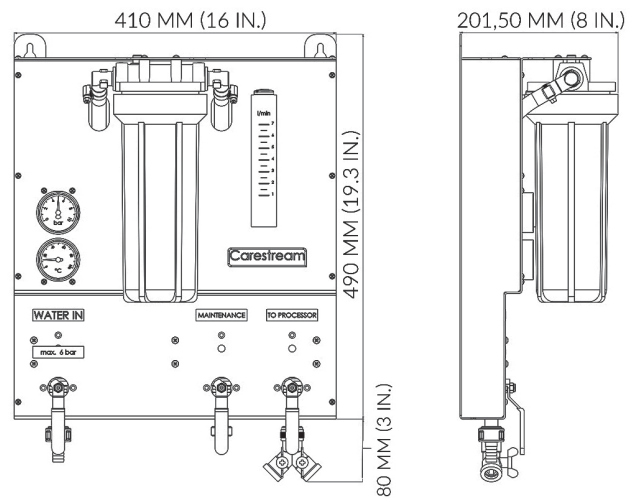
INDUSTREX Water Control Panel

CAT. NO. 5504949

- The INDUSTREX Water Control Panel includes:
 - A 254 mm (10 in.) filter housing
 - A 254 mm (10 in.) filter element (5 microns is recommended)
 - Pressure gauge for monitoring water pressure
 - Thermometer
 - One exit after filtration for cleaning and mixing chemicals
 - One exit to the processor including a water flow meter
 - One "Y" connector for adding Auto Mixer capability



DIMENSIONS (mm/inches)



MAX. ALLOWED WATER PRESSURE: 6 BAR

**CARESTREAM NDT AND YOU.
WE'RE BETTER TOGETHER.**

[carestream.com/ndt](https://www.carestream.com/ndt)

